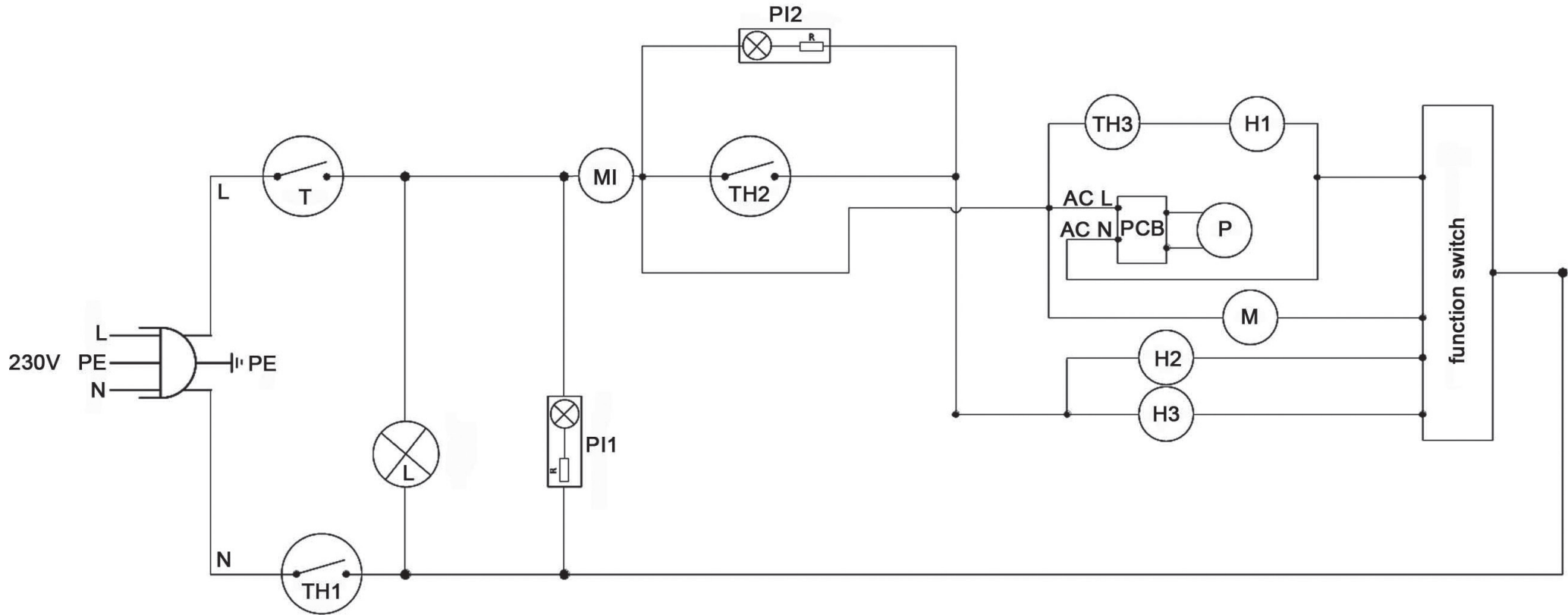


688.150 STEAMOVEN - ELECTRIC DRAWING



T - Timer
 L - Lamp
 TH1 - Thermostat 210° C
 PI1 - power indicator light
 PI2 - temp. indicator light
 TH2 - Thermostat 200° C
 TH3 - Thermostat 210° C

H1 - U-heater
 MI - micro switch
 P - pump
 M - Motor
 H2 - O-heater 1
 H3 - O-heater 2

	pump	U-heater	O-heater 1	O-heater 2	Motor	Power
defrost	Off	Off	Off	Off	On	40W
convection	Off	Off	On	On	On	2040W
conv. steam	On	On	On	On	On	2555W
steam	On	On	Off	Off	Off	515W